

SUNWING® Casa
The handy all-round parasol



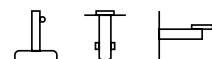
SUNWING® CASA



Frame	8 parts Mast profile 55 × 2.5 mm Crank drive for opening and closing Crank for stepless tilting of roof in both directions (45°) Crank housing, support arm guide and head made from robust die-cast aluminium Screws and rivets made from stainless steel Canopy self-tensing through flexible rib ends Frame roof: round, square, rectangular
Frame colour	Natural anodised or anthracite powder-coated aluminium
Canopy	Fabric quality 5: polyacrylic, 300 g/m ² , UV protection > 98 % Fabric quality 4: polyester, 250 g/m ² , UV protection > 98 % Fabric quality 2: polyester, 220 g/m ² , UV protection > 98 %, (Only in anthracite frame)
Flounce	Only available without
Protective cover	Included in delivery
Electrical accessories	Osyron Spot LED with integrated battery pack



Using Locations



Fixations



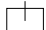


SUNWING® Casa
© Int. Design reg.



Swiss
Design

Assortment

	Nominal size without flounce	Number of ribs	Order no. Frame anodised natural	Order no. Frame anthracite
	cm			
	Ø 300	8 parts	056 00 300 171	056 00 300 301
	Ø 330	8 parts	056 00 330 171	056 00 330 301
	270×270	8 parts	056 00 271 171	056 00 271 301
	300×240	8 parts	056 00 302 171	056 00 302 301

Nominal size	Lateral distance	Mast Ø	Area covered	Crank height	Height closed	Clear headroom	Total height	Height open	Overhang at the back	Length of free-arm	Foundation	Minimum weight for base	max. wind speed open perm.
cm	cm	cm	m ²	cm	cm	cm	cm	cm	cm	cm	cm	kg	km/h (wind force)
A	AS	M	B	D ¹ /D ²	E	F	G ¹ /G ²	H	N	Z	C		
Ø 300	276	5.5	6.4	125/195	75	205	265/245	255	35	160	60×60	90	35 (5)
Ø 330	305	5.5	7.7	125/195	60	205	265/245	255	35	160	60×60	90	30 (5)
270×270	-	5.5	7.3	125/195	35	205	265/245	255	35	160	60×60	90	30 (5)
300×240	-	5.5	7.2	125/195	35	205	265/245	255	35	160	60×60	90	35 (5)

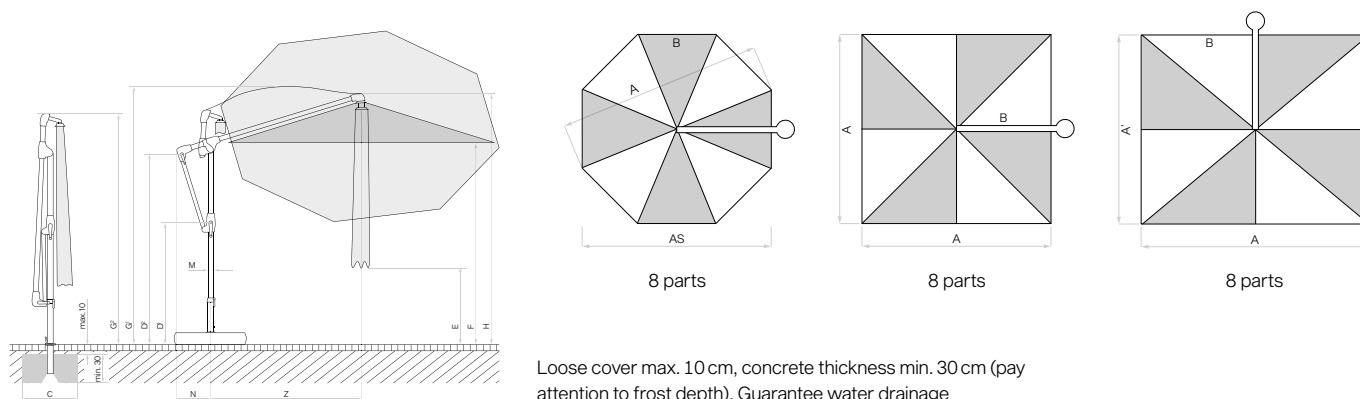
The listed measures represent extrapolated average values that may be slightly different on the product ($\pm 2\% \pm 5$ cm).

The measures of the height are determined by the PX ground socket. If one of the offered bases is used, these measures change only slightly.

With the base variant these vary slightly. With the variants with the ground sockets M4 and mounting plate M4/M8, the stated height dimensions vary by 12–13 cm.

The max. wind speed limits as per our separate sheet apply only if the parasol canopy is in a horizontal position and if there is a fix ground anchorage.

In the presence of several parasols, the minimum distance between one parasol and another and between parasols and walls shall be 20 cm.



Accessories

**Absolutely
necessary**

Order no.

Protective cover made of coated, tear-resistant polyester fabric

1	Protective cover with zip and rod		350 01 609 702
	5 pieces, protective cover with zip and rod		350 01 609 703

Electrical accessories

2	OSYRION Spot LED battery-powered light, set of 2, with remote control, including charger		350 01 563 000
3	OSYRION Spot LED battery-powered light, set of 4, with remote control, including charger		350 01 563 100



1 2 3 4 5 6 7 8 9 10

Fixations

Absolutely
necessary

Order no.

Ground sockets

4	Ground socket PX, galvanised steel	Connection tube PX	350 01 207 001
4	Ground socket PX, high-grade steel 1.4301/304	Connection tube PX	350 01 207 011
5	Ground socket M4, galvanised steel	Support tube M4	350 01 226 510

Mounting plates

6	Mounting plate M4/M8, 30×30×1.5 cm, galvanised steel	Support tube M4	350 01 226 921
7	Mounting plate M4 special, for installation height 50–149 mm, galvanised steel	Support tube M4	350 01 226 932
8	Mounting plate M4 special, for installation height 150–350 mm, galvanised steel	Support tube M4	350 01 226 930
	Mounting plate M4 for isolated grounds, installation height made to measure, high-grade steel 1.4301/304	Support tube M4	350 01 229 730

Wall consoles

9	Wall console M4, extension 480 mm, galvanised steel	Support tube M4	350 01 229 405
---	---	-----------------	----------------

Bases

10	Concrete base Z, 90 kg, Ø 75×11 cm	Support tube Z	350 01 109 523
	1 pallet (10 pieces) concrete base Z, 90 kg, Ø 75×11 cm	Support tube Z	350 01 109 535
11	Natural granite base Z, 90 kg, 64×64×9 cm, natural stone	Support tube Z	350 01 109 515
12	Base frame M4, 120 kg, (for 8 plates 40×40×4 cm), 91×91×11.5–15.5 cm, galvanised steel, adjustable and levellable (price without plates)	Support tube M4	350 01 108 235
	Slab set, 8 pieces, 40×40×4 cm, (approx. 110 kg), concrete		350 01 226 908
	Slab set, 8 pieces, 40×40×4 cm, (approx. 115 kg), 4 pieces concrete, 4 pieces in granite-look		350 01 226 909
13	Cover for M4 base 120 kg, 96×96×11.5 cm, plastic ABS coated, anodised aluminium look		350 01 100 617
14	Cover for M4 base 120 kg, 96×96×11.5 cm, plastic ABS coated, anthracite		350 01 100 630
	⁶ Set of castors for base M4 120 kg/180 kg, (maximum weight 240 kg), Ø 5 cm, H = 5.5 cm, galvanised steel		350 01 100 500

Bases with castors

15	³ Base with castors Z, 90 kg, 80×80×11 cm, light concrete (without decorative plate) NEW	Support tube Z + Decorative plate	350 01 110 200
	Decorative plate in grey for base with castors Z, 90 kg, plastic NEW		350 01 110 310
	Decorative plate in anthracite for base with castors Z, 90 kg, plastic NEW		350 01 110 320
	Decorative plate in sand for base with castors Z, 90 kg, plastic NEW		350 01 110 330
15	^{1,3} Base with castors Z, 90 kg, 80×80×12.5, cast concrete decor	Support tube Z	350 01 102 800
	^{1,3} 1 pallet (5 pieces) base with castors Z, 90 kg, Ø 80×80×12.5 cm, cast concrete decor	Support tube Z	350 01 102 850
16	³ Natural granite base M4, 120 kg, 90×90×17 cm, natural stone, with castors	Support tube M4	350 01 109 475

Support tubes/Connection tubes

17	Support tube Z, Ø 48/55 mm, galvanised steel		350 01 201 210
17	Support tube Z, Ø 48/55 mm, galvanised steel, powder coated anthracite		350 01 201 282
17	Support tube Z, Ø 48/55 mm, high-grade steel 1.4301/304		350 01 201 300
18	Support tube M4, Ø 48/55 mm, galvanised steel		350 01 200 035
19	Connection tube PX, Ø 48/55 mm, galvanised steel		350 01 206 001
20	Connection tube PX, Ø 48/55 mm, galvanised steel, powder coated anthracite		350 01 206 082
19	Connection tube PX, Ø 48/55 mm, high-grade steel 1.4301/304		350 01 206 011

¹ while stocks last

³ only suitable for smooth, joint free surface coverings

⁶ Not suitable for cover for M4 base



11 12 13 14 15 16 17 18 19 20





Glatz AG
Parasols
2023 Season

[glatz.com](https://www.glatz.com)

